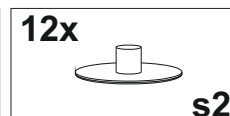
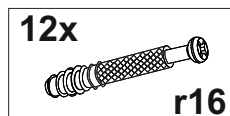
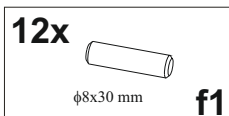
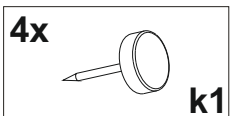
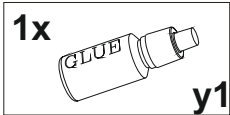
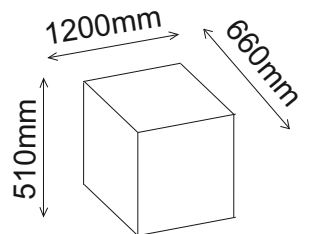
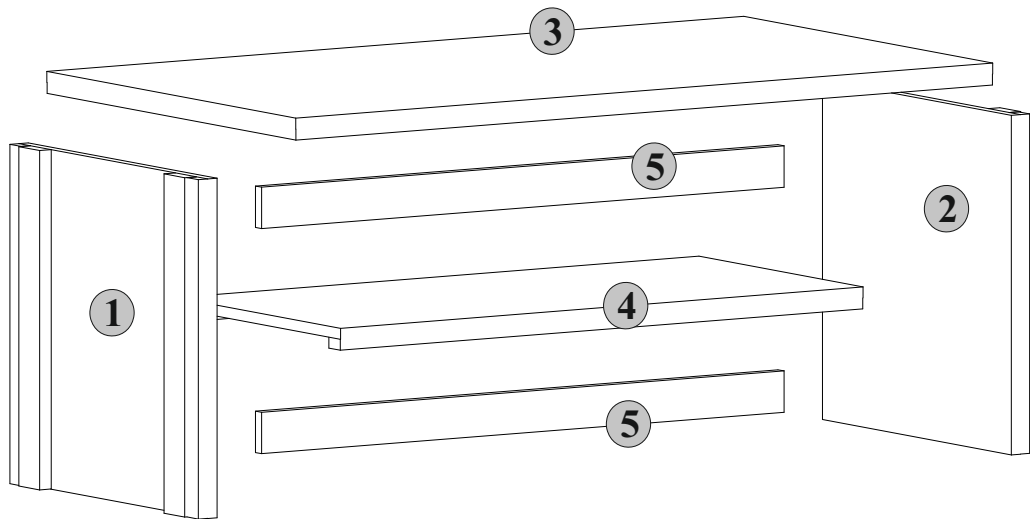
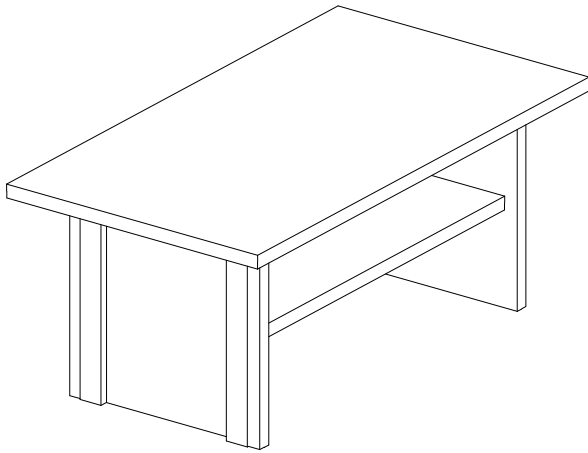
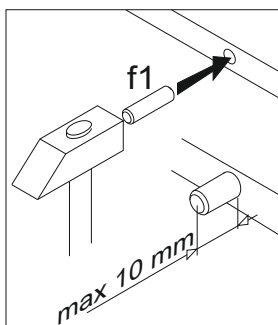
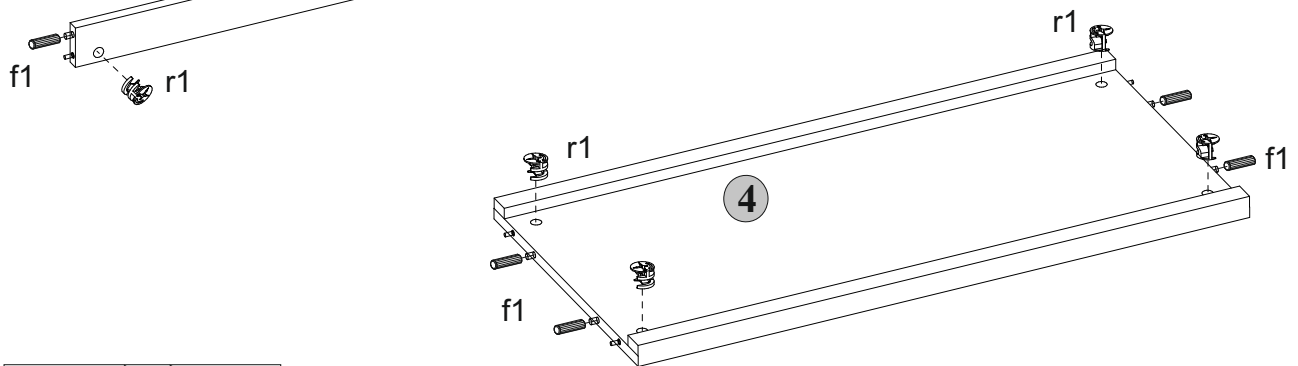
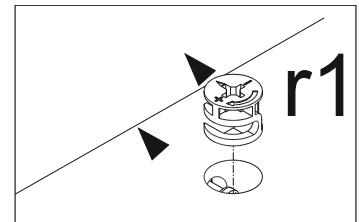
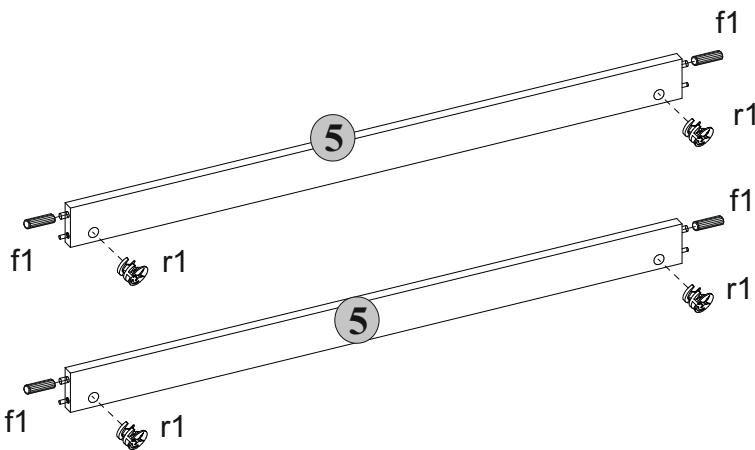
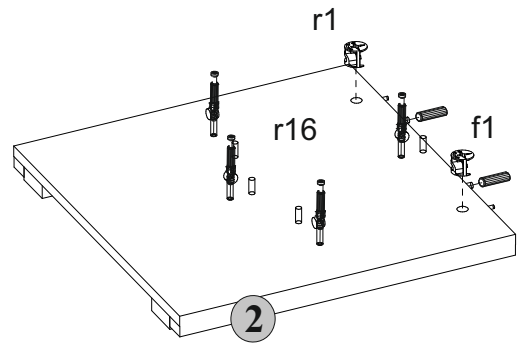
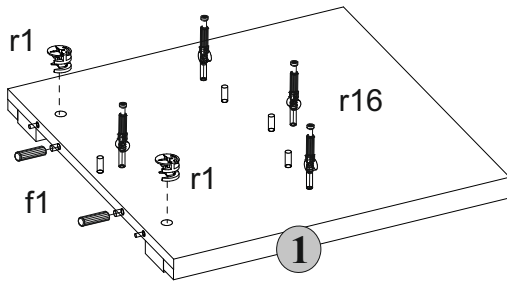
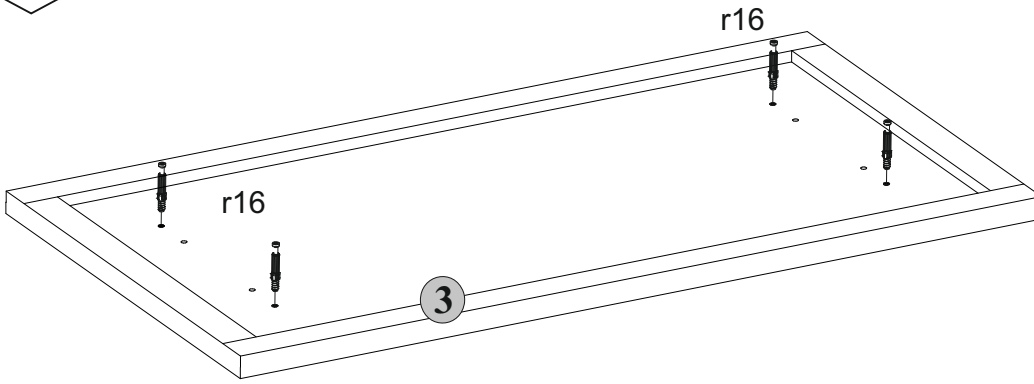
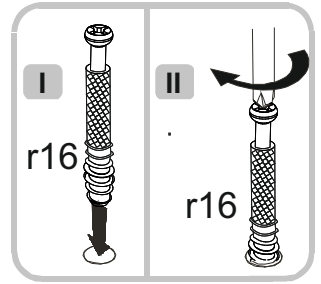


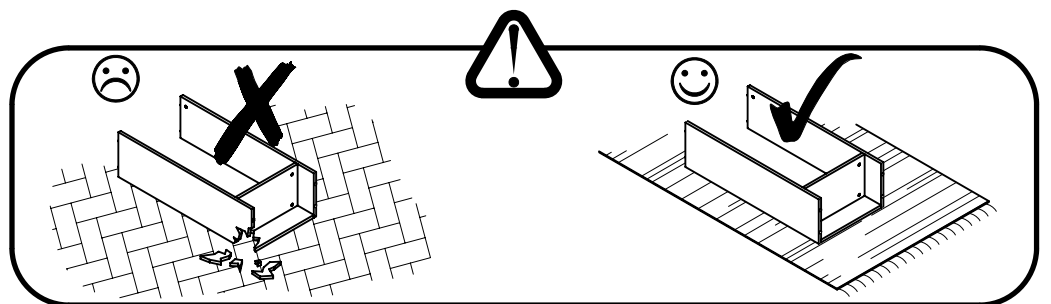
number	Measurements	Pcs.
1	494x500	1
2	494x500	1
3	1200x660	1
4	900x434	1
5	60x900	2



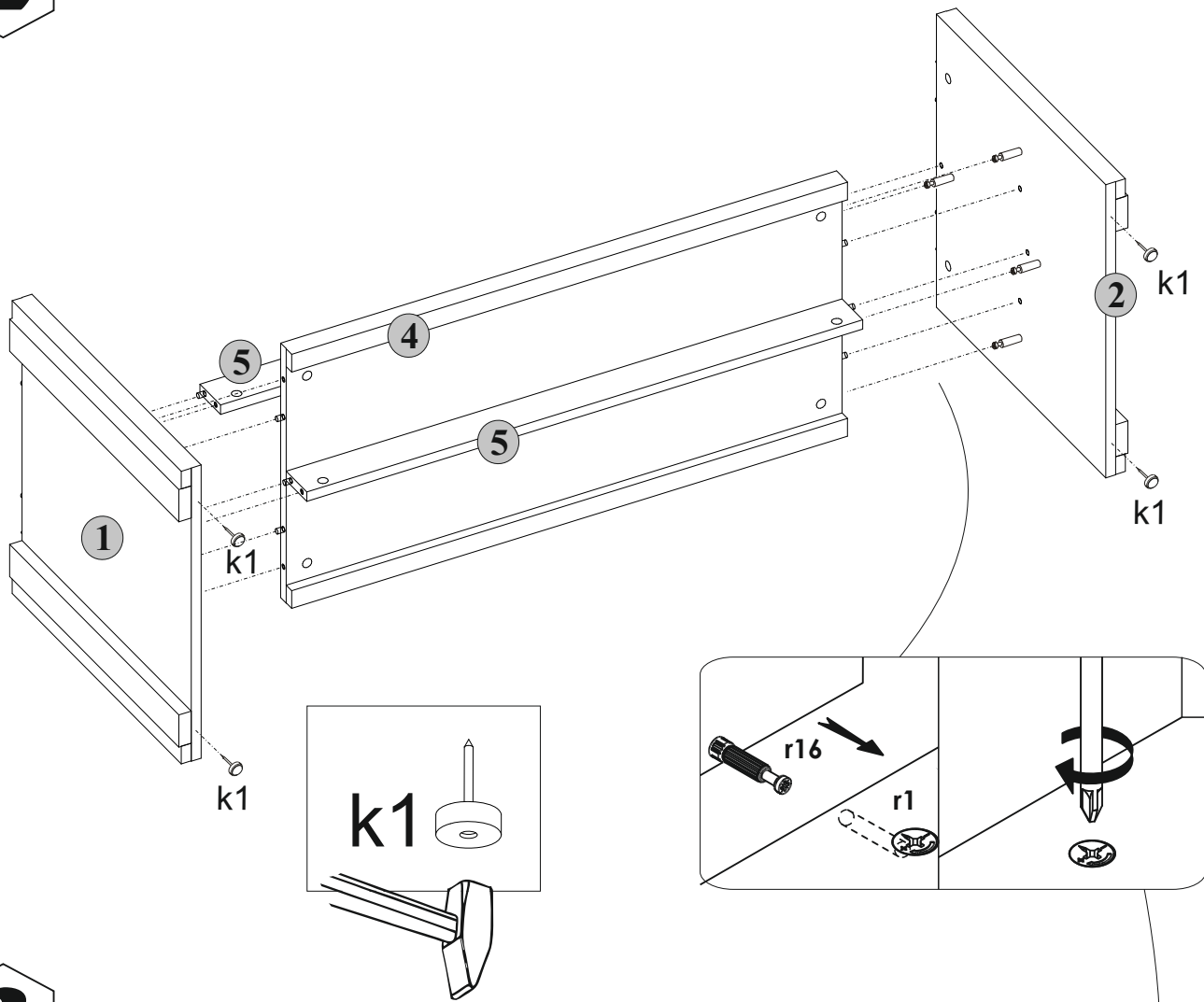
I



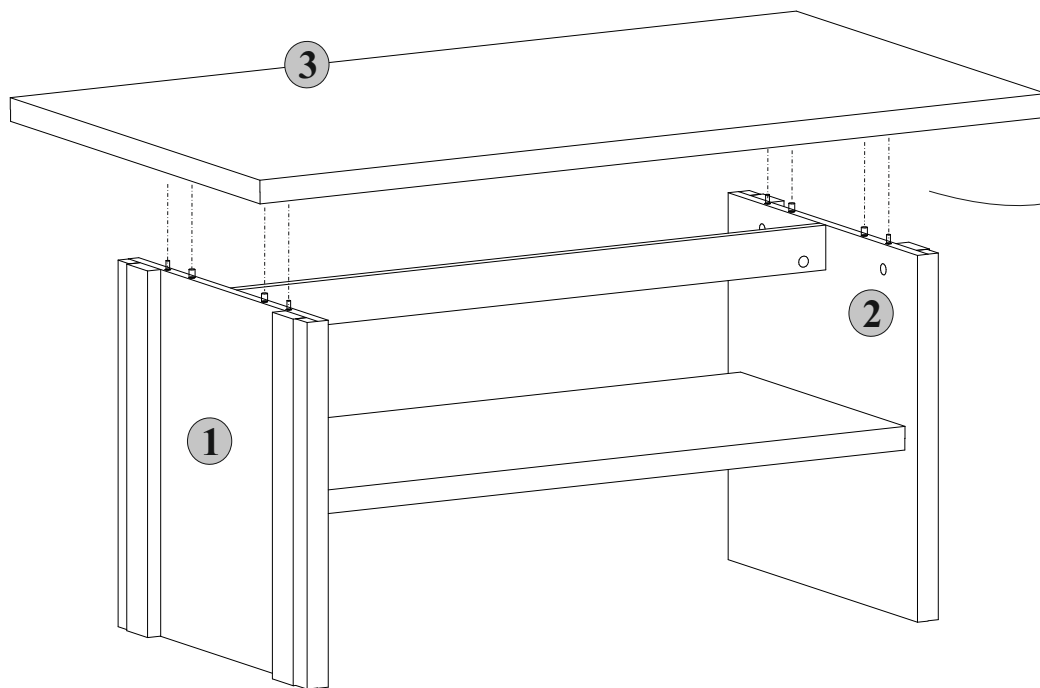
2



2



3



3